

ARCO

The Arco litter receptacle is designed for both indoor and outdoor use.

This product comes with and optional ashtray. With its robust design, it is ideally suited for both corporate and public environments.

Combining different colors makes for easy waste identification including various types of recycling.

NOMEN Design specializes in the design, development and production of urban and corporate furniture and equipment. Our site furnishings are created with a focus on design quality, and harmony with the environment.

MATERIALS

Cold Rolled Carbon Steel



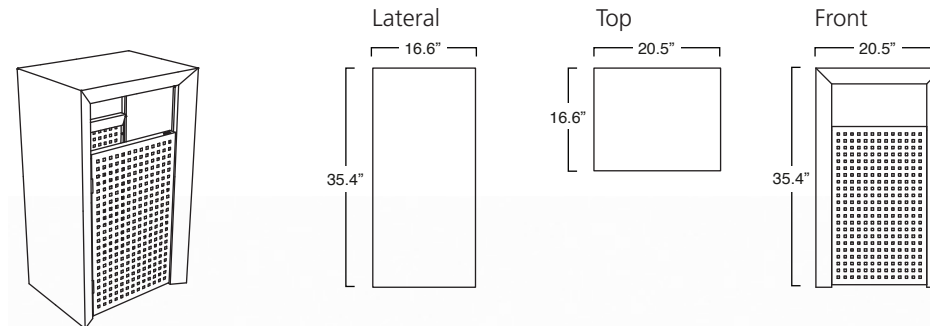
Custom colors available upon request

Stainless Steel



Brushed Shot Blasted

DIMENSIONS



SPECIFICATIONS

Litter receptacle available in 13 gallon capacity.

MATERIALS

Outer structural case, back panel and swing-out access door: Stainless steel ANSI 304 or cold rolled carbon steel.

Interior shell and bag support:

Stainless steel ANSI 430 or cold rolled carbon steel

Mechanical fasteners:

Stainless steel ANSI 304

FINISHES

Cold Rolled Carbon Steel:

Electro-coated with corrosion resistant epoxy and finished with a thermosetting polyester powder topcoat.

Stainless Steel ANSI 304:

Available in brushed or shot blasted finish. Optional Ash Tray available in brushed and shot blasted finish.

Stainless steel ANSI 430 optional:

Available in brushed or shot blasted finish.

MOUNTING

Surface mount attached with screws to threaded anchors installed in substrates, or freestanding on rubber pads.

WARRANTY

Products are warranted against defects in material or workmanship for three years from the date of shipment. The warranty does not apply to damage resulting from vandalism, neglect, accident, misuse, tampering, or modification.

PRICING

Pricing information available on www.nomendesign.com

NOMEN USA: 317.588.1182
SALES@NOMENDESIGN.COM
WWW.NOMENDESIGN.COM

