

origo

Applicable to all types of environments, the Origo receptacle is characterized by its functionality and aesthetics. Its 3 mm sheet thickness ensures anti-vandalism and a long service life.

Easily used for selective waste collection, the Origo is perfect in municipal and urban furnishings, as well as a variety of enterprises, companies and other sophisticated settings.

Unlike traditional urban receptacles, the fastening elements of the waste bag are located inside the drum, and not exposed to public view. This contributes to the aesthetics of the Origo and allows it to fit naturally in any environment.

NOMEN Design specializes in the design, development and production of urban and corporate furniture and equipment. Our site furnishings are created with a focus on design quality, and harmony with the environment.

MATERIALS

Cold Rolled Carbon Steel



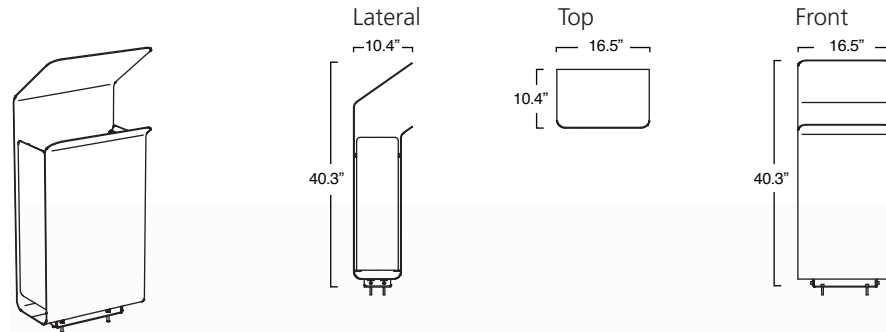
Custom colors available upon request

Stainless Steel



Brushed Shot Blasted

DIMENSIONS



SPECIFICATIONS

Litter receptacle with lid in a 9 gallon capacity.

MATERIALS

Optional cold rolled carbon steel or stainless steel ANSI 304 and ANSI 430.

FINISHES

Cold Rolled Carbon Steel:

Electro-coated with corrosion resistant epoxy and finished with a thermosetting polyester powder topcoat.

Stainless Steel ANSI 304:

Outer structural case available in shot blasted finish. Side panels available in brushed or shot blasted finish.

Stainless Steel ANSI 430:

Bag support available in brushed or shot blasted finish.

MOUNTING

Surface mount attached with screws to threaded anchors installed in substrates.

WARRANTY

Products are warranted against defects in material or workmanship for three years from the date of shipment. The warranty does not apply to damage resulting from vandalism, neglect, accident, misuse, tampering, or modification.

PRICING

Pricing information available on www.nomendesign.com

